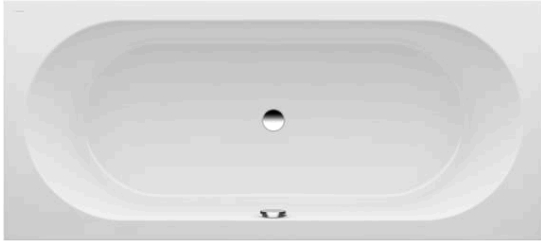


## LAUFEN PRO

**Bathtub, rectangular, made of Marbond composite material, drop-in version**

## DIMENSIONS

Length	1800 mm
Width	800 mm
Height	630 mm

## COLOUR AND FINISH

000 White

## OPTIONS

000 - standard option

## SPECIFICATION TEXT

Bathtub made of Marbond glossy surface  
Drop-in version, without frame  
With aluminium profiles and feet for bathtub  
Charge 000 – without whirl system, without waste and overflow

## MOUNTING ACCESSORIES INCLUDED

Feet for bathtub

## MOUNTING ACCESSORIES EXCLUDED

Waste and overflow, chromed, order no. 29514.2  
Combined water inlet and overflow, chromed order no. 29514.3  
Noise control band, order no. 29555.1

**Installation type :** Drop-in

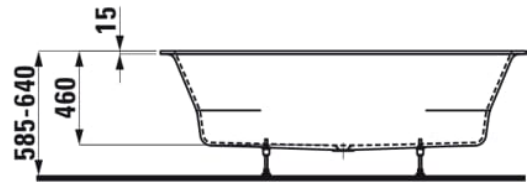
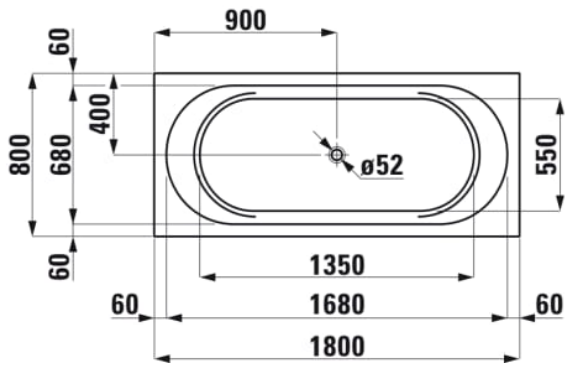
**Net weight (kg) :** 85

**Water capacity to overflow (l) :** 200

**Material :** Marbond

**Shape :** Rectangular

TECHNICAL DRAWINGS



COMPATIBLE WITH



Noise control tape 1 roll,  
3,30m

**H2955510000001**

## LAUFEN PRO

LAUFEN pro is a comprehensive bathroom range, which offers the ideal solution for every spatial situation and requirement and also reflects the building values of the current generation. Industrial design is the modern answer to the once revolutionary idea that everyone has a right to enjoy beautiful forms. Good design is now no longer a right reserved for the most affluent customers. Modern methods of industrial production and designers such as Peter Wirz of Vetica, who put optimum manufacturing feasibility at the forefront of their creative processes, make such sanitary ware ranges as LAUFEN pro possible. This does not just benefit the designer, more importantly, it also benefits the customer.

