

Shower Panel

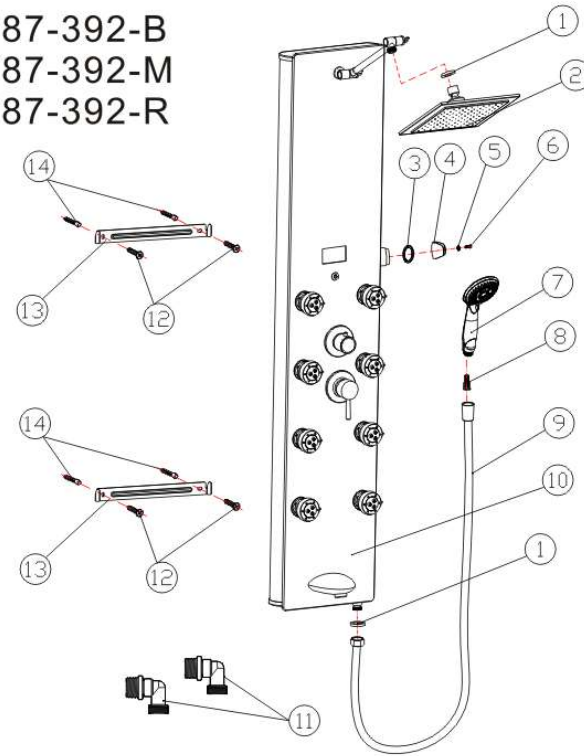
Installation and Operation Guide

Caution:
 Before connecting the shower panel, please flush out the debris inside the hot and cold water pipe. Installation without flushing out the debris might reduce water pressure, and cause damage and clogging to the hose and pipe



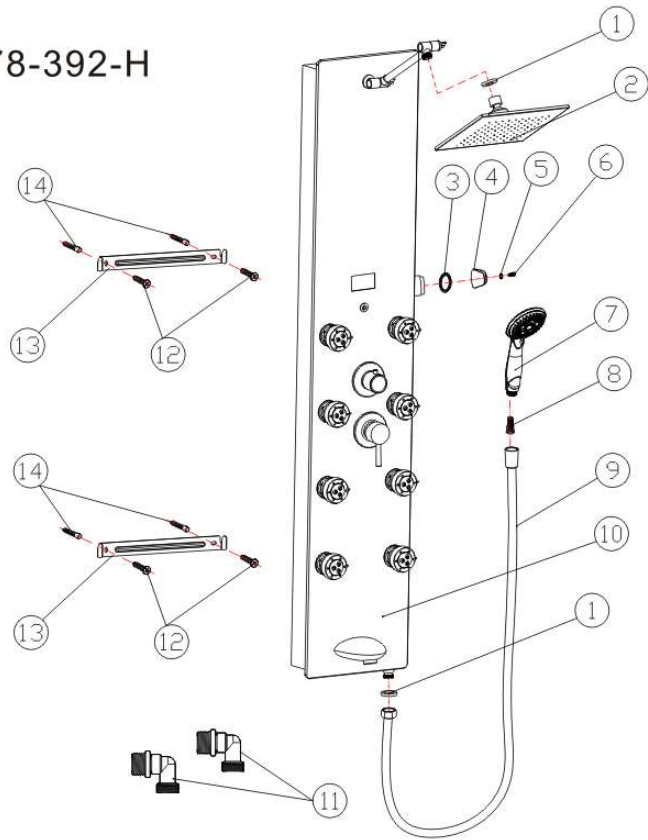
1. Part List

787-392-B
 787-392-M
 787-392-R



①	Rubber Washer	⑧	Shower Head Filter
②	6021A Rainfall Shower Head	⑨	Shower Head Hose
③	Shower Head Holder Washer	⑩	Shower Panel Body
④	Shower Head Holder	⑪	Brass Elbow(Optional Part)
⑤	M4 Ring	⑫	M4 X 20 Screws
⑥	M4X16 Screw	⑬	Mounting Bracket
⑦	392 Handheld Shower Head	⑭	Plastic Expand Plug

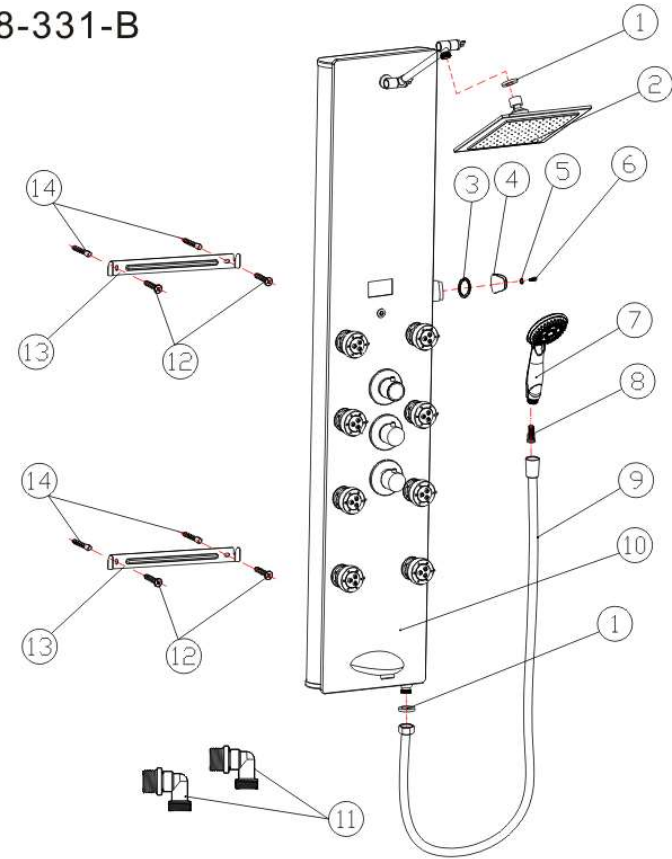
V878-392-H



① Rubber Washer	⑧ Shower Head Filter
② K05 Rainfall Shower Head	⑨ Shower Head Hose
③ Shower Head Holder Washer	⑩ Shower Panel Body
④ Shower Head Holder	⑪ Brass Elbow(Optional Part)
⑤ M4 Ring	⑫ M4 Screws X 20
⑥ M4X16 Screw	⑬ Mounting Bracket
⑦ 392 Handheld Shower Head	⑭ Plastic Expand Plug

P3

788-331-B



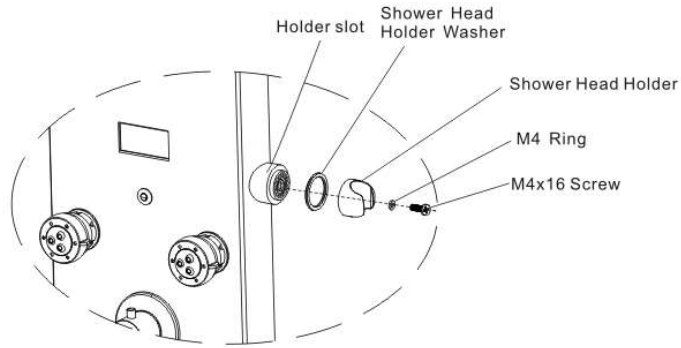
① Rubber Washer	⑧ Shower Head Filter
② 6021A Rainfall Shower Head	⑨ Shower Head Hose
③ Shower Head Holder Washer	⑩ Shower Panel Body
④ Shower Head Holder	⑪ Brass Elbow(Optional Part)
⑤ M4 Ring	⑫ M4 X 20 Screws
⑥ M4X16 Screw	⑬ Mounting Bracket
⑦ 331 Handheld Shower Head	⑭ Plastic Expand Plug

P4

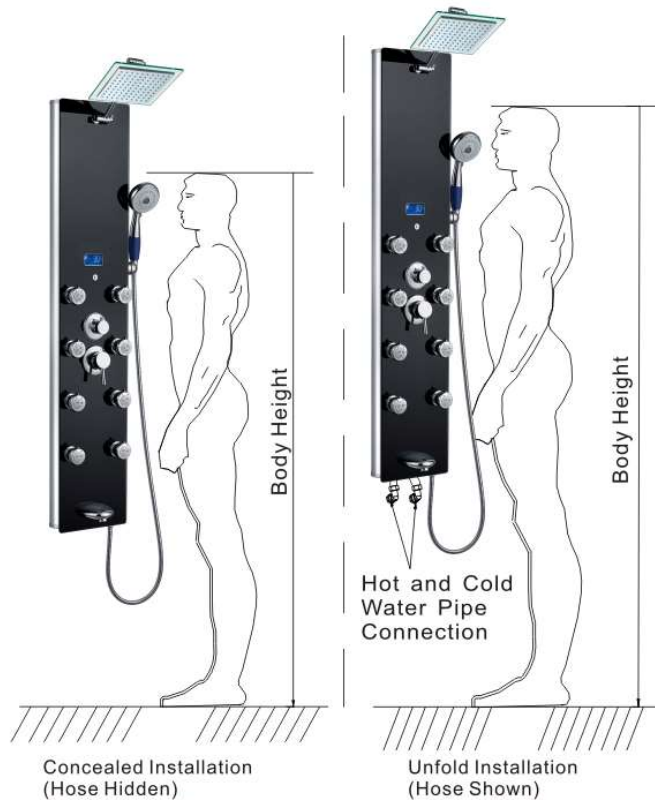
2. Installation

1) Installing the handheld shower head holder

Place the shower head holder washer onto the slot, and put on the shower head holder. Use M4 ring and M4X16 screw to secure the shower head holder onto the slot



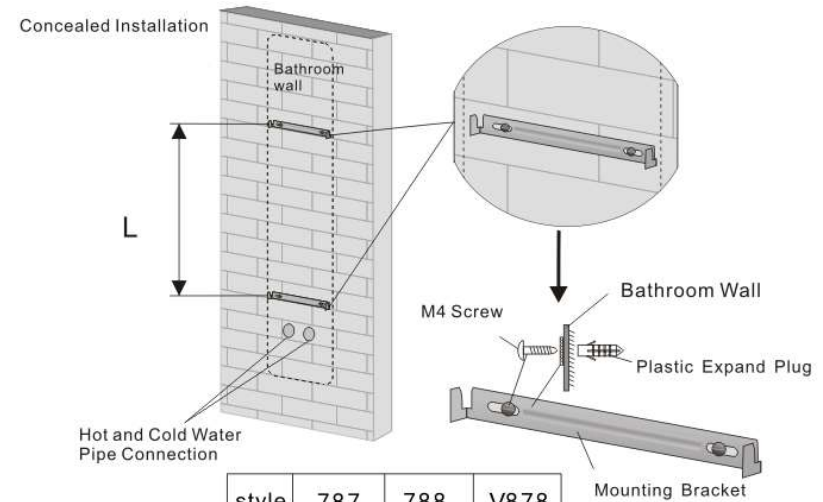
3. Based on the height of the user(s) and location of the hot/cold pipe inlet, select concealed or unfold installation. (See picture below)



P5

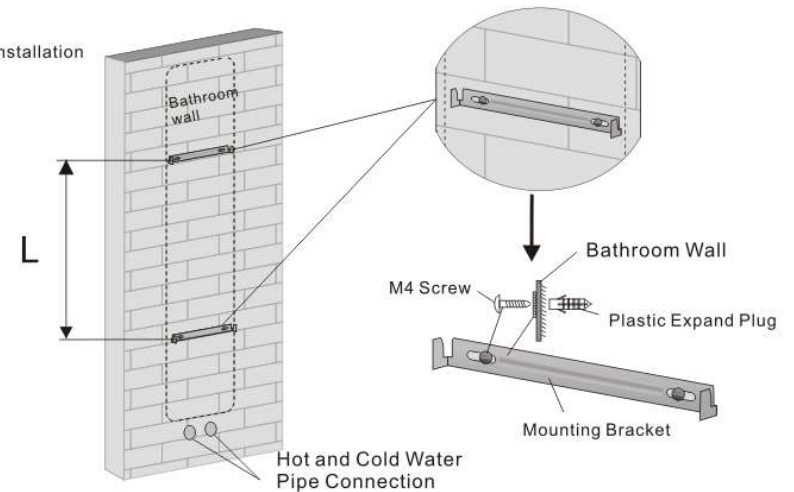
4. Installing the mounting bracket:

Base on the height you want to install the shower panel, mark and drill 4 screw holes on the wall. Once the hole is drilled, put in the plastic expand plug and screw the mounting bracket onto the wall. When screwing the mounting bracket, please make sure that it is being screwed on a wood stud behind the wall in order to provide sufficient strength to hold the shower panel.



style	787	788	V878
L	650mm	650mm	510mm

Unfold Installation

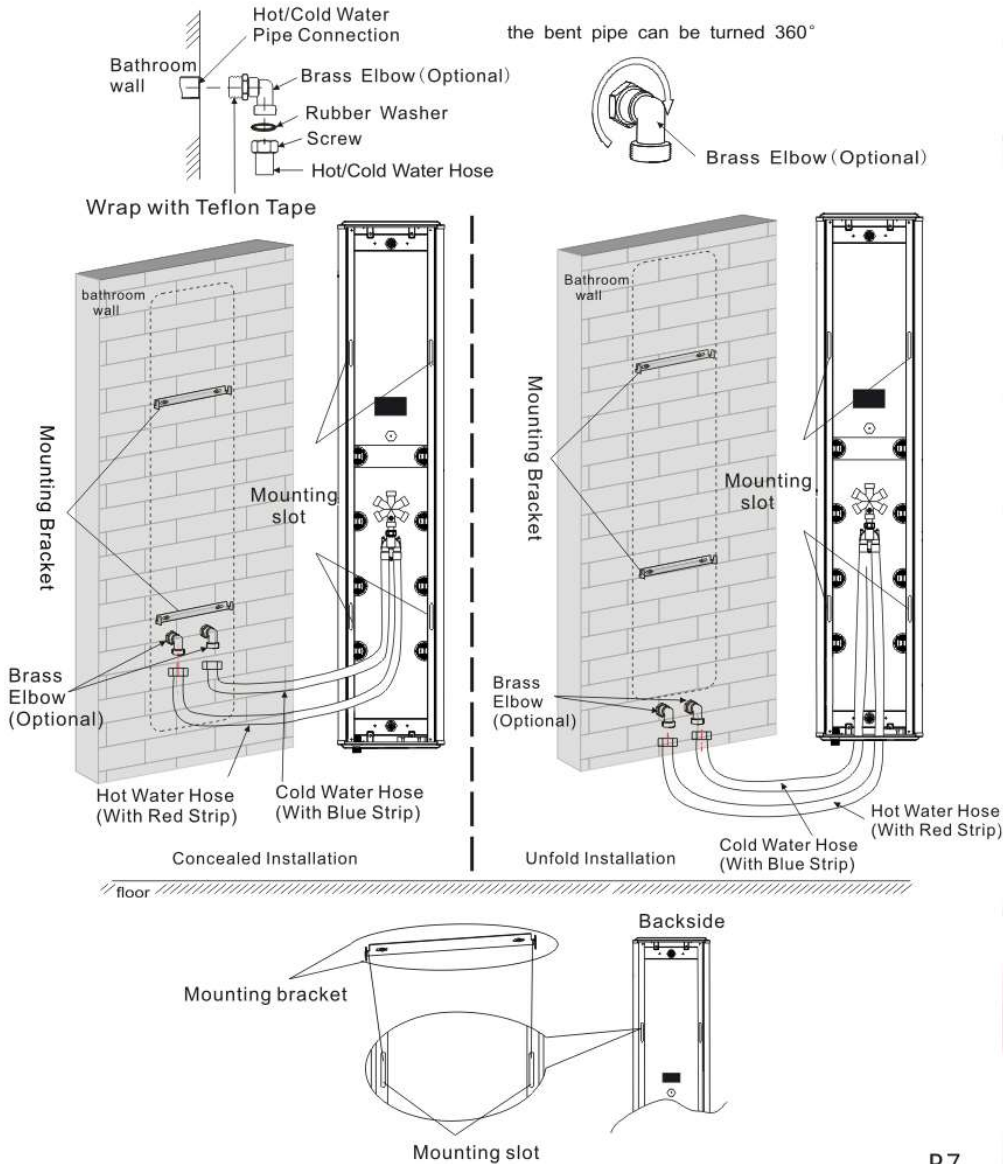


style	787	788	V878
L	650mm	650mm	510mm

P6

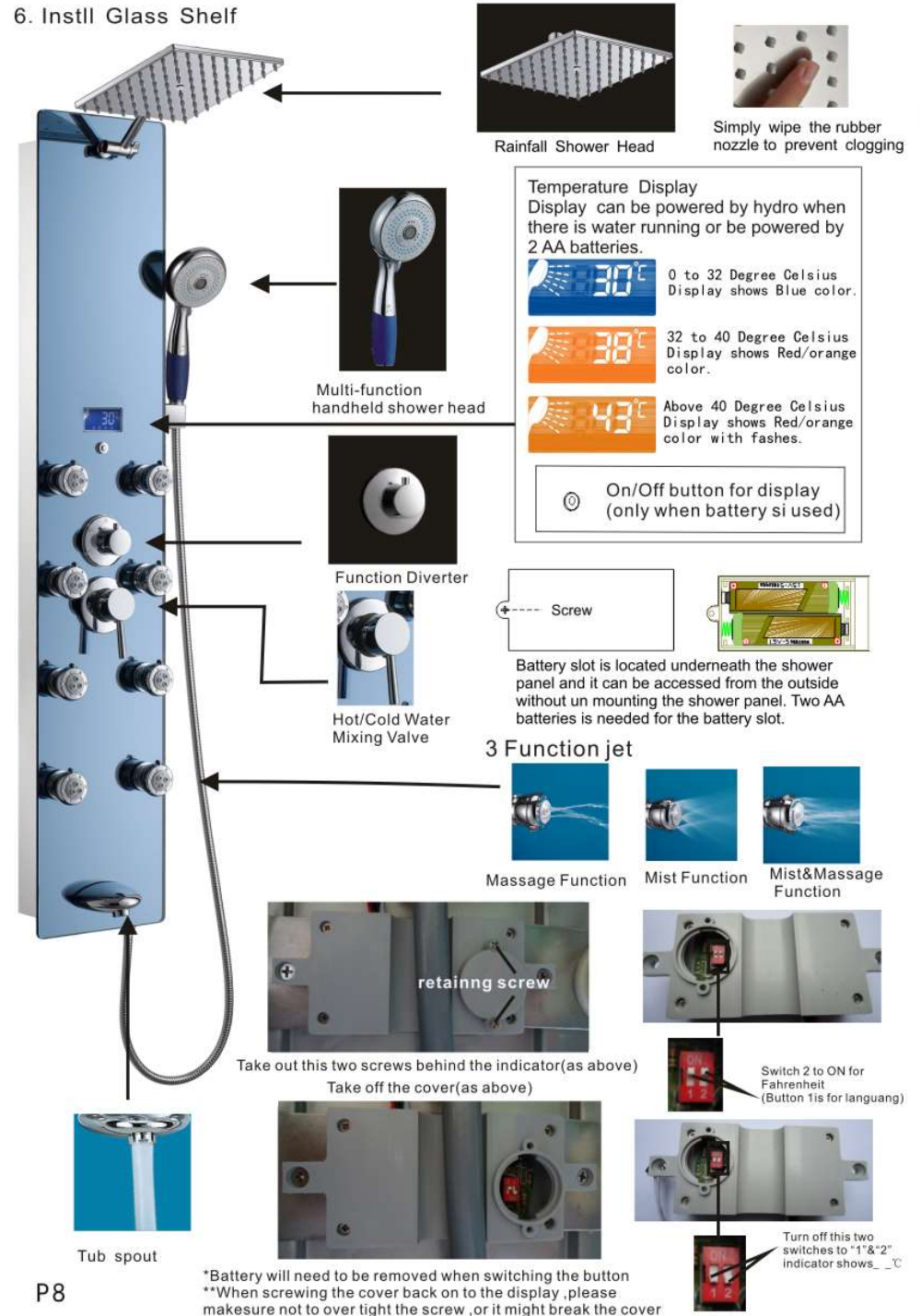
5. Connecting and Hanging of Shower Panel Body

Before connecting, please switch on water supply to flush out the debris (i.e. rust and small particle) inside the water pipe. Failure to do so might cause hoses to be clogged. To install, use Teflon Tape to wrap around the fitting of the water pipe, insert a rubber washer with mesh onto the hoses, and simply connect the 1/2" hoses with a 1/2" pipe fitting. After connection is done, switch on the water to make sure no leaking occurs. To mount the shower panel, screw the mounting bracket onto the wall, and simply mount the shower panel onto the mounting bracket. When screwing the mounting bracket, please make sure that it is being screwed on a wood stud behind the wall to provide sufficient strength to hold the shower panel. (See Picture Below)



P7

6. Install Glass Shelf



P8

*Battery will need to be removed when switching the button
 **When screwing the cover back on to the display, please make sure not to over tight the screw, or it might break the cover